

LED area floodlights and street lights made in Australia

Supremely efficient long life IP66 pole top and wall mounted LED luminaires with aluminium die-cast body and glass cover. Available with either area or roadway optics and zero upward light to help reduce light pollution.

Applications: car parks, amenity areas, roadways.

- High efficiency lenses with a wide range of optical distributions
- Suitable for continuous operation up to 40°C ambient temperature
- Lens shield cover preventing light nuisance available on request
- Pole top 48/60 mm as standard, adjustable through 90°. 76 mm option available on request
- Wall mounting bracket accessory available on request
- Pre-attached submersible cable with E14 insulation compound in accordance with VDE/IEC and meets or exceeds the Australian Standard AS/NZS 5000.1
- SmartScan wireless technology removes the need for control cabling. Ideal for retrofit



Notes: CRI 80+ version available on request / 18 W and 47 W variants listed on AEMO load table at 16.58 W and 43.63 W respectively.

IP66

IK10

Up to 144.7 LL/CW

SMARTSCAN

Specification

Mounting	Column Surface	IP rating	IP66
Impact rating	IK10	Max presence detection height	8 m

Lighting

Lumen output	1,540 lm - 6,945 lm	Efficacy	Up to 144.7 LL/CW
--------------	---------------------	----------	-------------------

Power

LED power	11 W - 47 W	Circuit power	13 W - 52 W
-----------	-------------	---------------	-------------

LED characteristics

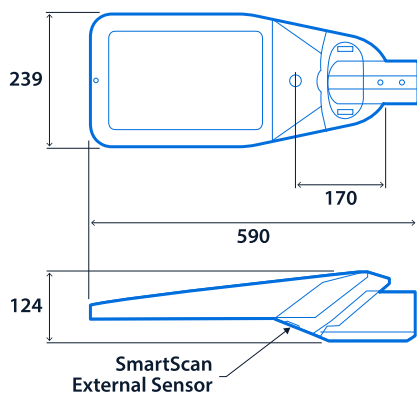
CRI	70+	Colour temperature	2700 K 3000 K 4000 K
Rated life (hours)	100 K - L90/B10		

Compliance

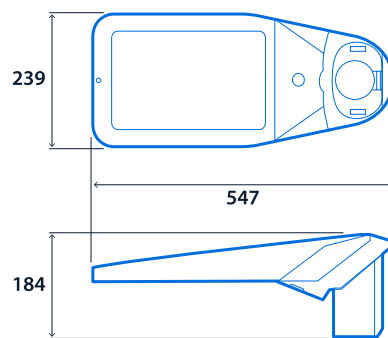
UKCA	Yes	CE	Yes
C-Tick (Aus)	Yes	NATA compliance	Certified in accordance with AS/NZS60598.1:2017 and AS/NZS60598.2.3:2015

Dimensions

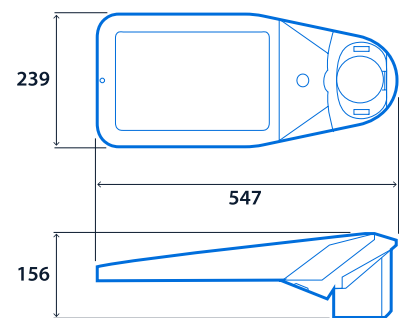
Pole size 48/60 (bracket mounted)



Pole size 48/60 (pole mounted)



Pole size 76 (pole mounted)



Lens shield



Click or scan here

View Brisa variants using our
online filtering tool



Information is correct as of 15 Mar 2025, however must not be interpreted as a guarantee of individual product performance and/or characteristics. We reserve the right to alter specifications and designs without prior notice.